

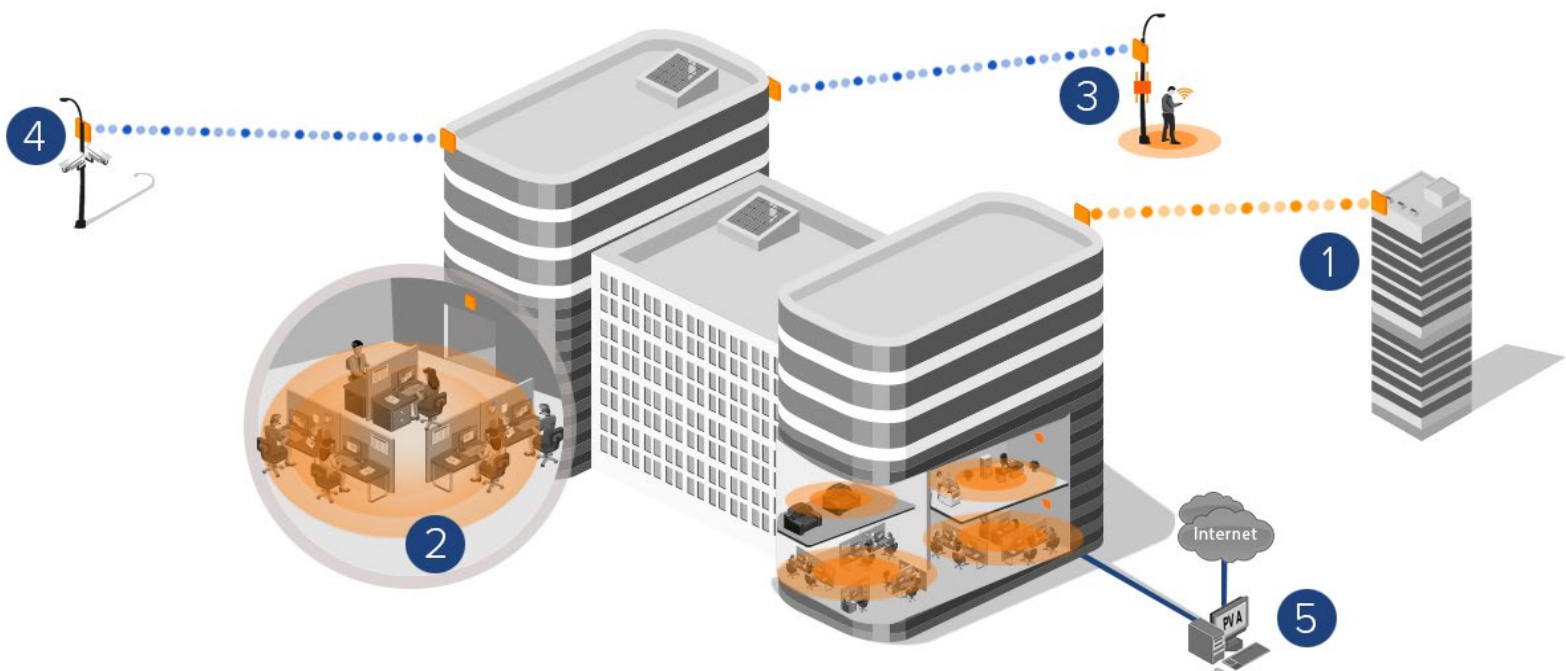


# Proxim Wireless for Enterprises

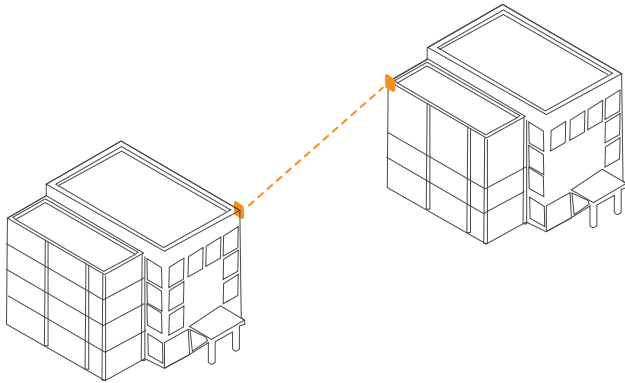
Enterprises demand nothing less than 'enterprise-class', high availability connectivity with centralized management and security. Proxim Wireless offers high performance, secure and easy to manage network solutions, specifically designed to meet enterprises needs.

## A Complete Solution for Enterprises

- 1 Office Connectivity
- 2 Indoor WiFi
- 3 Outdoor WiFi
- 4 Video Camera/Security Connectivity
- 5 Total Network Management



# Proxim Wireless Solutions



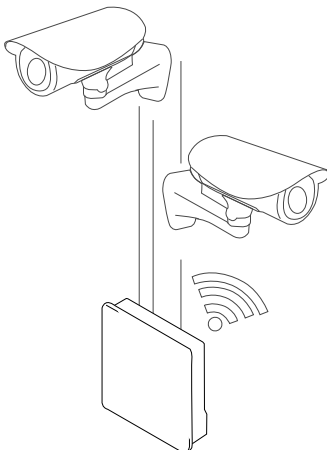
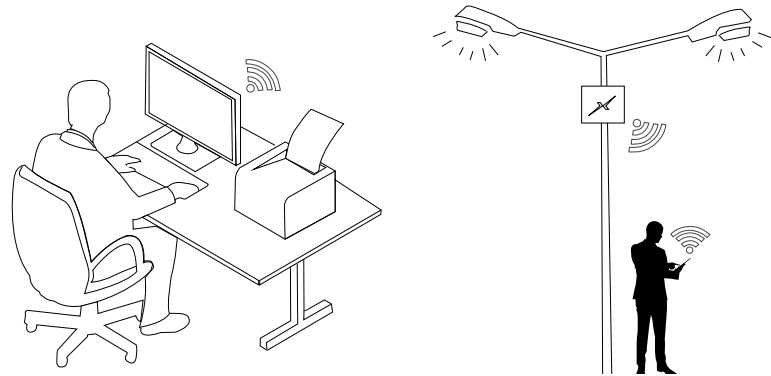
## Office Connectivity

Proxim's high performance Tsunami® solutions deliver over 600 Mbps throughput over long distances, connecting remote offices in areas where wire line is not available, not reliable, or not cost effective. Additionally, with advanced Radio Frequency technologies, Tsunami® solution ensures high availability with minimal error rates in the most challenging interference conditions.

## Indoor and Outdoor WiFi

Proxim's ORiNOCO® product line features enterprise class outdoor and indoor high speed WiFi Access Points capable of delivering speeds of up to 1750 Mbps. The entire ORiNOCO® product line is managed via the ProximVision® Advanced product which is a single centralized network controller and management solution. This combined solution addresses all the demands of enterprise WiFi – centralized monitoring and management, advanced security and access control.

For the outdoor platform, Proxim provides Access Points with built in backhaul making deployments much simpler and easy to maintain.



## Outdoor Video Camera Connectivity

Proxim's Tsunami® solutions feature advanced QoS capability and hardened communications protocols ensuring delay sensitive applications such as voice and video streaming are delivered at the highest priority with minimal packet loss and latency.

# Why Proxim is the right choice for Enterprise Solutions

## Control and manage networks Effortlessly with ProximVision® Advanced

---

“We chose Proxim’s Tsunami systems because they simply outperformed. The multipoint solutions demonstrated superior performance and deployment simplicity over other technologies and products. Currently the deployment covers over 25% of the entire park area, and it only took us about 15 days for installation.”



Comprised of a wide variety of powerful tools, ProximVision® Advanced (P VA) unifies management of the entire network infrastructure with just a few clicks. Combining the best in class NMS/SNMP features with client control enabled via WLAN controllers, P VA gives IT managers a single interface for all their network management needs. From easy automatic WiFi setup to remote device configuration and management P VA provides total control making it the right choice for demanding enterprise environments.

### Control your Network

- Easily setup guest WiFi networks with multiple SSIDs
- Instant visibility into device type, security policies, installed applications, and more.
- Role-based administration ensures secure control and governance over the network, while offering defined visibility to designated staff only as needed
- Efficient control of AP resource and efficiency with RF channel Management, Load Balancing and Band Steering

### Efficient Network Management

- Instantly deploy devices with automatic discovery, provisioning and firmware upgrade
- Pre-schedule or automate day to day maintenance tasks
- ProximVision® Advanced dashboard providing real time monitoring and historical performance information
- Build custom reports and set email alert of vital network statistics
- ProximVision® Advanced fully supports Proxim ORiNOCO® and Tsunami® product lines, while providing basic information for SNMP ready 3rd party elements (such as Router, Switches and video cameras etc.

### Be the First to Know of Any Faults

- Identify faults and troubleshoot remotely
- Visualize network status on static or dynamic maps
- Set advanced threshold rules for alarms and push-notifications on events requiring immediate notification

# Advanced Security and Access Control

## Outdoor Network Security

- Every Proxim Tsunami® radio implements tiered security layers for the most secure outdoor wireless communications system in the unlicensed frequency spectrum
- Proxim's Wireless Outdoor Routing Protocol (WORP®) prevents snooping and features highly-secure remote management via SSL, SSH and SNMPv3
- Providing security with AES encryption technology prevents unsecure client-to-client communications and leverages MAC, Ethertype, and IP address packet filtering for granular network security

## Indoor Network Security

- ORINOCO® solutions provide enterprise class security to ensure full protection of sensitive information
- 802.11i/WPA2™ based security with AES 128 encryption and 802.1x Radius based authentication
- Rogue scanning and listing of surrounding devices
- Secure management (SSL/TLS1.2, SSH and SNMPv3) preventing unwanted configuration changes

## High Availability and Efficient

### Proxim ClearConnect™

Ensures Proxim Tsunami® radios operate even in the most hostile RF conditions where other standard wireless technologies simply fail to perform. It offers a host of adaptive features including Dynamic Channel Selection, Satellite Density, Beam Steering and many more to ensure high spectrum efficiency with minimal error rates.

### WORP®

Proxim has invested over fifteen years of continuous development and wireless expertise to create our Wireless Outdoor Routing Protocol known as WORP®. WORP® is a reliable, secure, and highly efficient protocol that guarantees delivery and optimal performance with Quality of Service controls, supporting quad play applications on a single wireless network such as mobility, video surveillance, VOIP and other delay sensitive multimedia applications. WORP® also helps ISPs control bandwidth and differentiate service offerings with the ability to enforce SLAs. Learn more about the [WORP® advantage here](#).

---

“Having a unified network infrastructure is imperative to our operations. To match our high standards and mission critical applications, we needed a network solution that delivers reliably at all times. We conducted a thorough battery of tests and found Proxim's equipment to be a good fit”

