

60 Watt Gigabit PoE injector

ETH-POEINJ60-1G-VI-v2



Proxim's 60 Watt Gigabit PoE Injector provides power over Ethernet to Tsunami, Edge and ORINOCO device, even when PoE out is required on the second Ethernet port of the device.

- Gigabit Ethernet Interface
- Passive PoE, non compliant with IEEE 802.3at protocol (Continuous flow of power with no detection)
- Protection against short circuit, over current and over voltage (The output can be shorted permanently without damage)
- Safety certified against IEC/UL/EN 62368-1 standard
- Level VI and COC power efficiency

Ordering Information

CPN	Description
949-00145	Gigabit , 60W, passive PoE injector with RJ45, level VI Compliance

RJ-45 Pin-Out

PIN	Data	Power
1	Data	Negative Out
2	Data	Negative Out
3	Data	Positive Out
4	Data	Positive Out
5	Data	Positive Out
6	Data	Positive Out
7	Data	Negative Out
8	Data	Negative Out

Specifications

EMC	FCC part 15B (2017) Class B ANSI C63.4-2014 EN 55032 (2015) class B
Immunity	EN 55035 (2017) Harmonic EN61000-3-2:2014 Fluctuations-Flicker EN61000-3-3:2013 ESD EN61000-4-2:2009 Electromagnetic Field EN61000-4-3:2006/08/10 Electric Fast Transient EN61000-4-4:2012 Surge EN61000-4-5:2014 RF Field EN61000-4-6:2014 Voltage Dips EN61000-4-11:2004
Isolation Test	10 mA at 1500 VDC for 1 minute
Insulation Resistance	50 MΩ at 500 VDC for 1 minute
Static Electricity	Contact discharge ±4 KV Air discharge ±8 KV
Retention Time	5 msec min. 100 VAC and maximum load

Electrical Rating

Input Inlet	C14 Connector
Input Voltage	100 to 240 VAC, 47 to 63 Hz
Input Current	1.5 A max
Over Current Protection	2 A max
Leakage Current	3.5 mA max
Output Voltage	56.0 VDC
Output Current	1.1 A
Output Ripple	560 mV p-p
Output Power	61.6 W

Environment & Mechanical

Temperature Range	Operating: 0 to +40 °C Storage: -30 to +70 °C
Relative Humidity (non-condensing)	Operating: 35 to 90 % Storage: 10 to 95 %
Dimensions	160 (L) x 62.5 (W) x 34.2 (H) mm 6.30 (L) x 2.44 (W) x 1.34 (H) inch
Weight	252±5 g / 8.9±0.2 oz
MTBF	≥ 50k hours

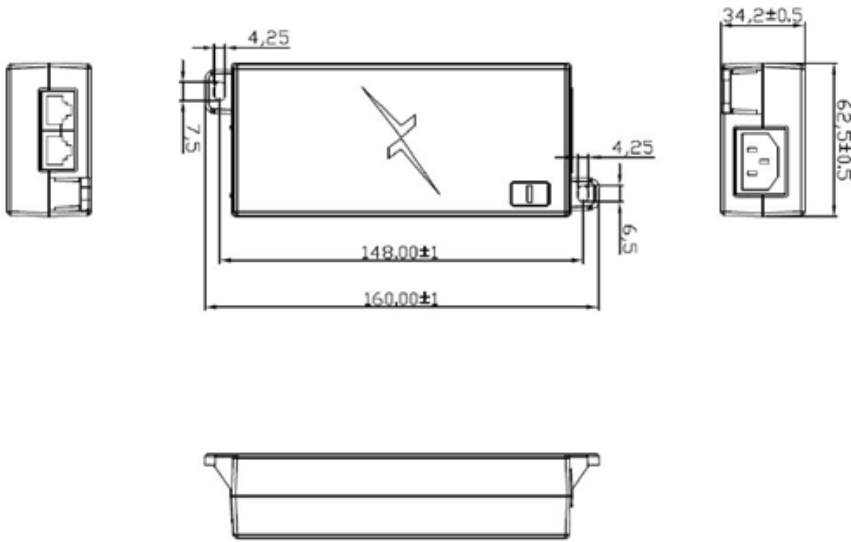
115 VDC – 60 Hz	No Load		Load Condition			
	0%	10%	25%	50%	75%	100%
Output current (mA)	-	110	275	550	825	1100
Output voltage (V)	55.960	55.964	55.951	55.945	55.938	55.932
Active output power (W)	-	6.156	15.387	30.770	46.149	61.525
Input voltage (V)	115	115	115	115	115	115
Input frequency (Hz)	60	60	60	60	60	60
Input power (W)	0.13	6.94	17.03	33.73	50.79	67.83
Total harmonic distortion (TDH) V%	0.12	0.14	0.18	0.26	0.33	0.37
True power factor (W/VA)	0.051	0.351	0.406	0.448	0.489	0.524
Power consumed (W)	0.13	0.786	1.643	2.960	4.641	6.305
Active mode efficiency	-	88.68%	90.35%	91.22%	90.86%	90.70%
Average active efficiency	-	-	90.79%			

230 VDC – 50 Hz	No Load		Load Condition			
	0%	10%	25%	50%	75%	100%
Output current (mA)	-	110	275	550	825	1100
Output voltage (V)	55.959	55.963	55.950	55.943	55.937	55.930
Active output power (W)	-	6.156	15.386	30.769	46.148	61.523
Input voltage (V)	230	230	230	230	230	230
Input frequency (Hz)	50	50	50	50	50	50
Input power (W)	0.15	7.10	17.14	33.67	50.29	66.95
Total harmonic distortion (TDH) V%	0.12	0.17	0.24	0.34	0.43	0.51
True power factor (W/VA)	0.016	0.298	0.366	0.402	0.422	0.437
Power consumed (W)	0.15	0.944	1.754	2.901	4.142	5.427
Active mode efficiency	-	86.70%	89.77%	91.38%	91.76%	91.89%
Average active efficiency	-	-	91.20%			

Efficiency

- Complies with DOE level VI and CE Ecodesign Requirement
- No load Power consumed (W) ≤ 0.21
- Average Efficiency ≥ 88%

Schematics



Package Contents

- One Gigabit PoE Injector (ETH-PEOINJ60-1G-VI-v2)

ABOUT PROXIM WIRELESS:

Proxim Wireless is a global leader in advanced wireless broadband and WiFi solutions that deliver high performance and high availability communications. Celebrating 40 years of pioneering wireless solutions, Proxim is recognized for unparalleled reliability, superior performance, and drive for innovation.

© 2023 Proxim Wireless Corporation. All rights reserved. Proxim is a registered trademark and the Proxim logo is a trademark of Proxim Wireless Corporation. All other trademarks mentioned herein are property of their respective owners. Specifications are subject to change without notice.