

60 Watt 2.5/5 Gigabit PoE injector

ETH-POEINJ60-2.5/5G



Proxim's 802.3bt, 60 Watt, 2.5/5 Gigabit, PoE Injector provides power over Ethernet to Stratum X5 devices, when high performances (above 1 Gbps) is required.

- 2.5/5 Gigabit Ethernet Interface
- Active PoE, compliant with IEEE 802.3bt/at/af protocol
- Protection against short circuit, over current and over voltage (The output can be shorted permanently without damage)
- Safety certified against IEC/EN 62368-1:2020+A11:2020 standard

Ordering Information

CPN	Description
949-00147	2.5/5 Gigabit, 60W, 802.3bt PoE injector with RJ45

RJ-45 Pin-Out

PIN	Data	Power
1	Data	Positive Out
2	Data	Positive Out
3	Data	Negative Out
4	Data	Positive Out
5	Data	Positive Out
6	Data	Positive Out
7	Data	Negative Out
8	Data	Negative Out

Specifications

EMC	47 CFR FCC part 15B Class B ANSI C63.4-2014 EN 55032:2015+A11:2020 class B
Immunity	EN 55035:2017+A11:2020 Harmonic EN61000-3-2:2019+A1:2021 Fluctuations-Flicker EN61000-3-3:2013+A1:2019 ESD EN61000-4-2:2009 Electromagnetic Field EN61000-4-3:2006/08/10 Electric Fast Transient EN61000-4-4:2012 Surge EN61000-4-5:2014 RF Field EN61000-4-6:2014 Voltage Dips EN61000-4-11:2020
Isolation Test	10 mA at 1500 VDC for 1 minute
Insulation Resistance	50 MΩ at 500 VDC for 1 minute
Static Electricity	Contact discharge ±4 KV Air discharge ±8 KV
Retention Time	5 msec min. 100 VAC and maximum load

Electrical Rating

Input Inlet	C14 Connector
Input Voltage	100 to 240 VAC, 47 to 63 Hz
Input Current	1.5 A max
Over Current Protection	2.2 A max
Leakage Current	3.5 mA max
Output Voltage	56.0 VDC
Output Current	1.08 A
Output Ripple	560 mV p-p
Output Power	60.48 W

Environment & Mechanical

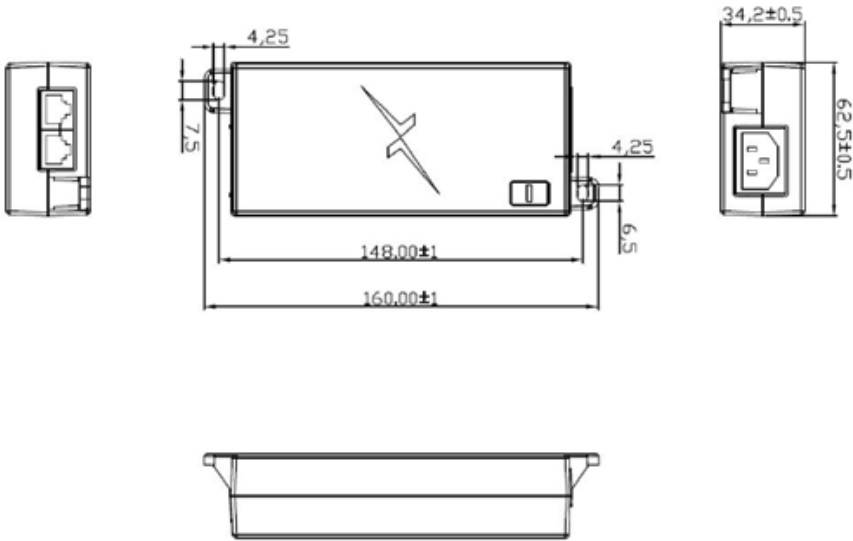
Temperature Range	Operating: 0 to +40 °C Storage: -30 to +70 °C
Relative Humidity (non-condensing)	Operating: 35 to 90 % Storage: 10 to 95 %
Dimensions	160 (L) x 62.5 (W) x 34.2 (H) mm 6.30 (L) x 2.44 (W) x 1.34 (H) inch
Weight	252±5 g / 8.9±0.2 oz
MTBF	≥ 500k hours

Efficiency

115 VDC – 60 Hz	No Load				
	0%	25%	50%	75%	100%
Output current (mA)	-	324	650	975	1300
Output voltage (V)	54.615	53.934	53.550	53.147	52.714
Active output power (W)	-	17.49	34.77	51.79	68.50
Input voltage (V)	115	115	115	115	115
Input frequency (Hz)	60	60	60	60	60
Input power (W)	0.49	20.84	40.73	60.74	81.72
True power factor (W/VA)	-	0.542	0.563	0.582	0.601
Power consumed (W)	0.49	3.35	5.96	8.95	13.22
Active mode efficiency	-	83.93%	85.37%	85.27%	83.82%
Average active efficiency	-	84.60%			

230 VDC – 50 Hz	No Load				
	0%	25%	50%	75%	100%
Output current (mA)	-	324	650	975	1300
Output voltage (V)	54.596	53.947	53.629	53.233	52.837
Active output power (W)	-	17.50	34.83	51.87	68.66
Input voltage (V)	230	230	230	230	230
Input frequency (Hz)	50	50	50	50	50
Input power (W)	0.49	20.87	40.34	60.31	79.77
True power factor (W/VA)	-	0.472	0.488	0.495	0.505
Power consumed (W)	0.49	3.37	5.51	8.44	11.11
Active mode efficiency	-	83.85%	86.34%	86.01%	86.07%
Average active efficiency	-	85.57%			

Schematics



Package Contents

- One 2.5/5 Gigabit PoE Injector (ETH-PEOINJ60-2.5/5G)

ABOUT PROXIM WIRELESS:

Proxim Wireless is a global leader in advanced wireless broadband and WiFi solutions that deliver high performance and high availability communications. Celebrating 40 years of pioneering wireless solutions, Proxim is recognized for unparalleled reliability, superior performance, and drive for innovation.

© 2023 Proxim Wireless Corporation. All rights reserved. Proxim is a registered trademark and the Proxim logo is a trademark of Proxim Wireless Corporation. All other trademarks mentioned herein are property of their respective owners. Specifications are subject to change without notice.